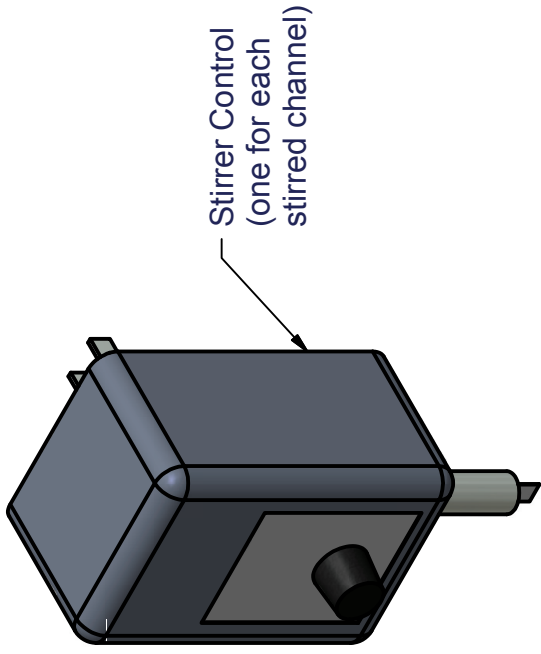


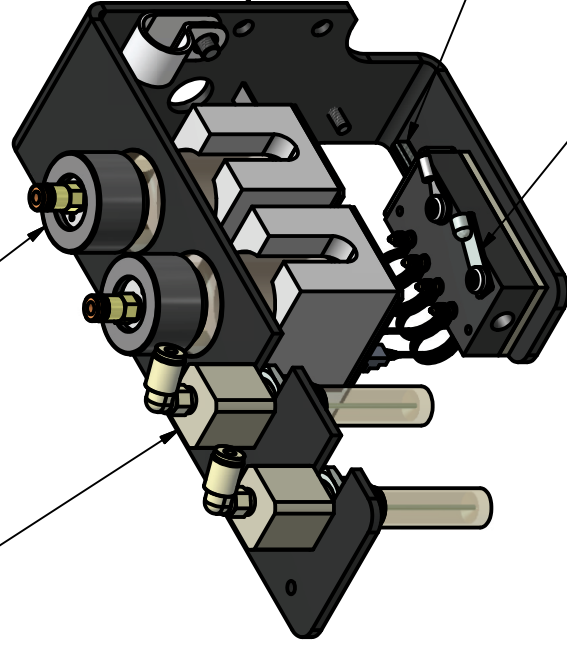
PH-46-aaa-xxx-bbb-c



Stirrer Control
(one for each
stirred channel)

20 mL (LG) Reservoirs

2 mL (SM) Reservoirs



Support Arm
> Available with
mounting for:
- 4 ea large reservoirs
- 4 ea small reservoirs
- 2 ea small & 2 ea large
reservoirs (as shown)

Optional Heating
Element

Device Mount
> Available for AT or
ATP device styles

